

MAGNETIC SUSPENSION HOT WATER CIRCULATION PUMP

SPE12/1.4 is designed as a magnetic suspension hot Water circulation pump, shaftless spherical motor with highly efficient.



1.4 m



0.6 m³/h



SPE12/1.4 CIRCULATION PUMP

ZHEJIANG GRANDFAR PUMP INDUSTRY CO., LTD
E-MAIL: INFO@GRANDFARGROUP.COM



Product
Info





SPE12/1.4

Magnetic Suspension Hot Water Circulation Pump

MAGNETIC SUSPENSION HOT WATER CIRCULATION PUMP

SPE12 pumps are high-efficiency circulations, designed for circulation of liquids in heating and air-conditioning systems. Pumps with stainless steel housings are also suitable for use in hot-water service systems. Examples of typical applications are mix water underfloor heating system, air energy hot water circulation system, solar hot water circulation system.

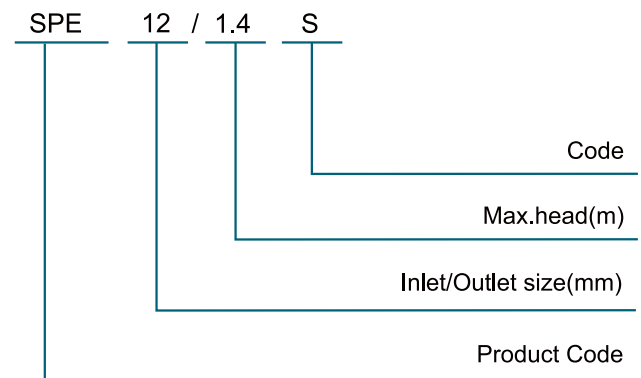


SPE12/1.4



SPE12/1.4S

MODEL INSTRUCTION



PUMP CONFIGURATION

- Motor: Permanent magnet motor;
- Pump head: stainless steel 304;
- Impeller: polymer material with magnetic powder.

PUMP FEATURES

- Stepless speed regulation;
- Low noise, no leakage;
- Class A energy efficiency
- No sliding bearing structure, not easy to jam the machine.

PUMP USE PRECAUTIONS

- Liquid temperature: + 2 °C ~ + 110 °C
- Ambient temperature: 0~40 °C;
- PH: 6.5 to 8.5
- Liquid material: non-corrosive, non-explosive liquid, free of solid particles, fibers and mineral oil;

TECHNICAL SPECIFICATIONS

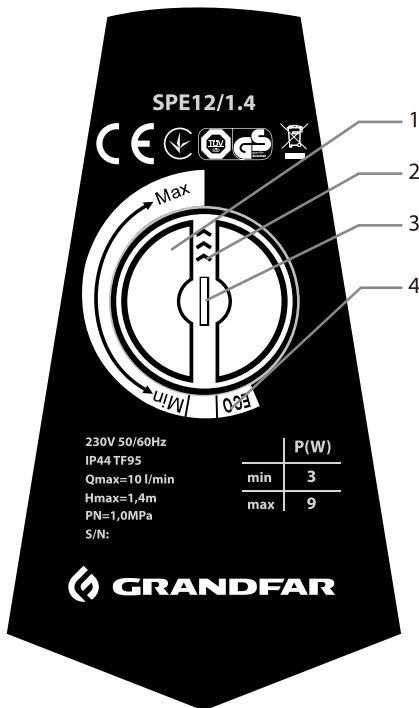
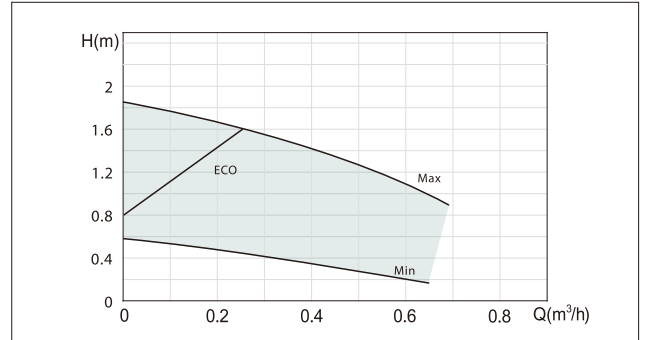
Max.Power Up to 9W	Max.Flow 0.6 m³/h	Max.Head 1.4 m	System pressure 10 Bar	Size 1/2"
------------------------------	--	--------------------------	----------------------------------	---------------------

SPE12/1.4

MAGNETIC SUSPENSION
HOT WATER CIRCULATION PUMP



Product Name	SPE12/1.4
Inlet/outlet	½"
Max.head(m)	1.4
Max.flow(m³/h)	0.6
Max working pressure(bar)	10
The max operating temperature of the fluid(°C)	110
Voltage	230V 50Hz/60Hz
Power(W)	3-9
Bodylength(mm)	72



modes

1. Mode dial
2. Index regulator
3. mode indicator
4. Information scale modes

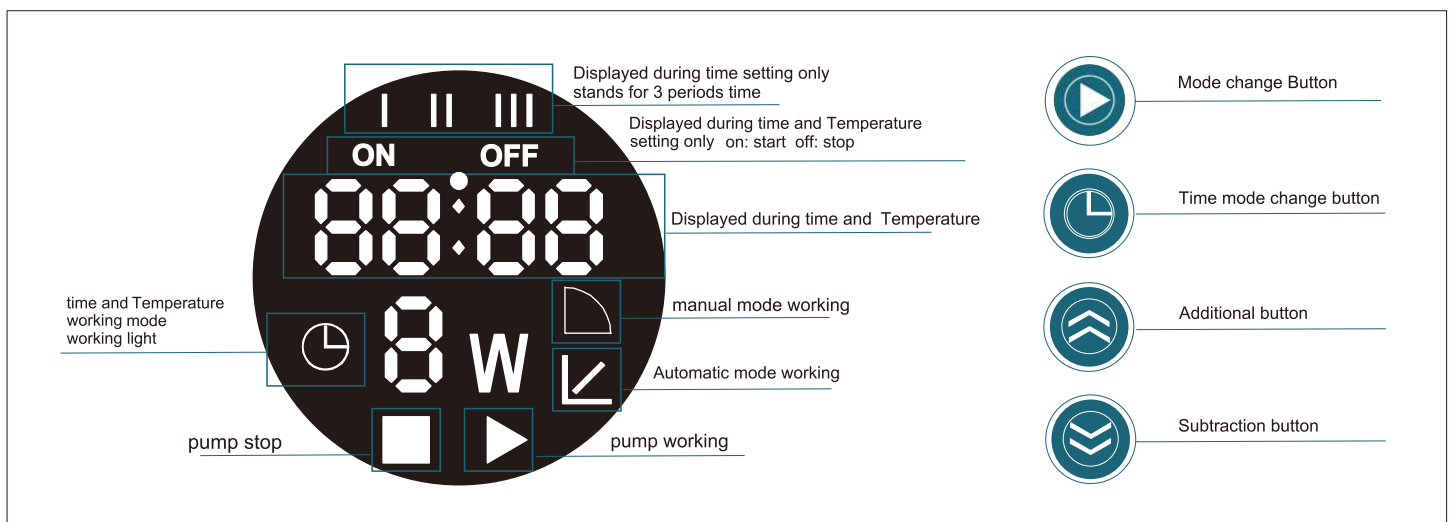
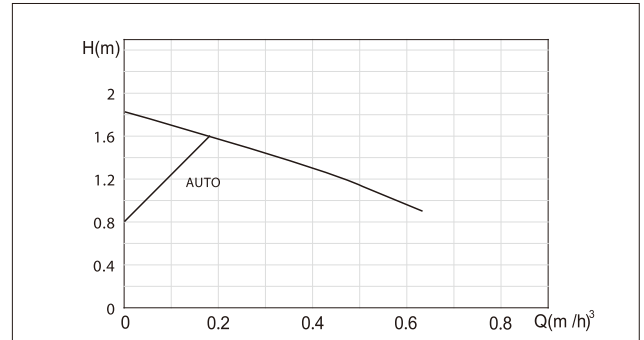
Indicator	Status	Description
Min-Max	Selection Green	Select the required speed based on the system's needs, with the adjustable range from the minimum value to the maximum value
ECO	Orange	Automatic adjustment of the pump performance in accordance with the parameters of the hydraulic system

SPE12/1.4S

MAGNETIC SUSPENSION HOT WATER CIRCULATION PUMP



Product Name	SPE12/1.4S
Inlet/outlet	½"
Max.head(m)	1.4
Max.flow(m³/h)	0.6
Max working pressure(bar)	10
The max operating temperature of the fluid(°C)	110
Voltage	230V 50Hz/60Hz
Power(W)	3-9
Bodylength(mm)	72



SPE12/1.4S has two working modes, temperature working mode and time period working mode.

The main functions are fault display function, temperature shielding function, descaling and anti-freezing function.

Temperature operating mode (default operating mode):

The pump operates only when the current temperature meets the set temperature limit. Depending on the set temperature, it is divided into three cases:

- Case 1: the opening temperature is equal to the closing temperature, regardless of the current temperature, the pump is always stopped.
- Case 2: the opening temperature is higher than the closing temperature, the current temperature is higher than the opening temperature, the pump starts, lower than the closing temperature, the pump stops.
- Case 3: the opening temperature is lower than the closing temperature, the current temperature is lower than the opening temperature, the pump starts, higher than the closing temperature, the pump stops.

Time period working mode:

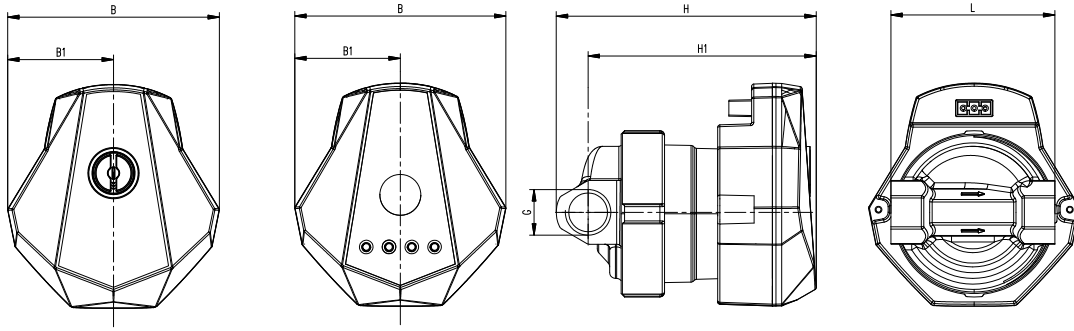
After entering the time period working mode, only when the current time is within the set time period, it enters the temperature working mode

Descaling and anti-freezing function

Descaling: The pump is forced to work for 5 minutes between 17:25 and 17:30 every day.

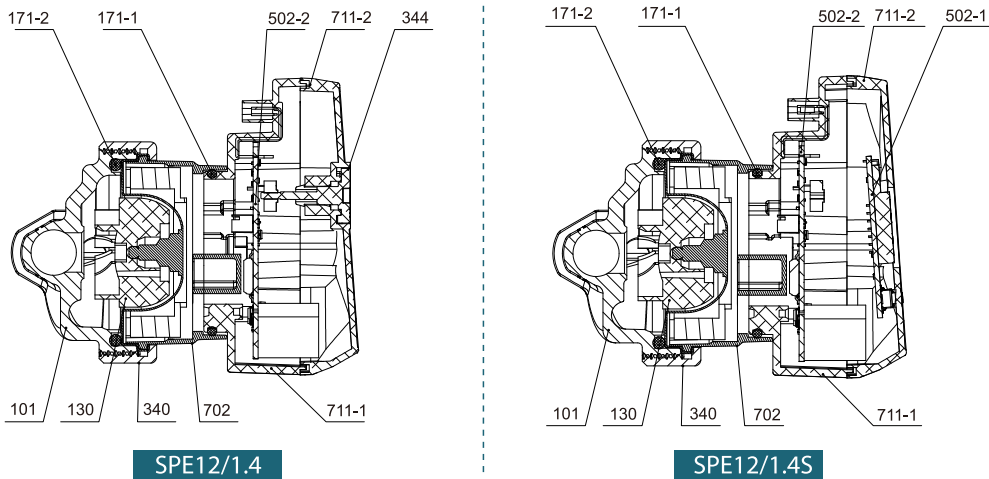
Anti-freezing: when the temperature is detected to be below 4°C, the pump works forcibly for 2 minutes. Detected every half hour.

PRODUCT DIMENSIONS



Model	Power	Voltage	Max.head	Max.flow	Material of pump body	Dimension(mm)					
	W	V/Hz	m	l/min	Stainless steel	L	B	B1	H	H1	G
SPE12/1.4	3-9	220-240/50	1.4	10	●	72	92.8	46.4	114	100	1/2"
SPE12/1.4S	3-9	220-240/50	1.4	10	●	72	92.8	46.4	114	100	1/2"

PUMP CONFIGURATION



POS.	COMPONENT	CONSTRUCTION CHARACTERISTICS
101	PUMP BODY	304 Stainless steel
130	IMPELLER	Polymer material with magnetic powder
171-1	O-RING	Silica
171-2	O-RING	Silica
340	LOCK RING	304 Stainless steel
344	KNOB	Plastic
502-1	DISPLAY SCREEN	Electronic device
502-2	CONTROL PANEL	Electronic device
702	MOTOR CASE	Aluminum alloy
711-1	WIRING BOX HOLDER	Nylon
711-2	TERMINAL BOX COVER	ABS plastic

MISSION

To create value for customers and to make life better through our products and services

VISION

To provide sustainable smart products globally and become a leading brand owner of water pumps and tools

VALUE

Integrity Innovation Enhancement Win-Win

www.grandfargroup.com 

Tel: +86-576-89890098 Fax: +86-576-88679892 P.C: 318000

E-mail: info@grandfargroup.com

ADD: Floor 4, Building 3, No.398, Jingzhong Road, Jiaojiang District Taizhou, Zhejiang, China

