

Sanitary water manifolds

INOX HOME

series S

FIBO



www.fiboinstal.com



46-100 Kamienna, ul. Kościelna 5/2



kontakt@fiboinstal.com

Why to choose sanitary water manifolds?

The main purpose of using manifolds in sanitary water installations is to minimize the number of pipe-to-fitting connections, especially those in hard-to-reach places, such as floors or walls. Not without significance is the ease of installation of the system, balanced pressure for all water receivers and the ability to disable individual circuits, e.g. during renovation works or failure of a connected device.

What makes FIBO INOX HOME stand out?

The serie of FIBO INOX HOME manifolds are specially designed for distributing drinking water in utility water systems within residential buildings and other locations. Rigorous laboratory tests have validated their high operating parameters, making FIBO INOX HOME distributors suitable for applications requiring efficiency and durability.

The varied working conditions in water installations (with variable pressure and temperature) dictate the superior quality of the materials utilized, as evidenced by certifications.

The Benefits of Stainless Steel

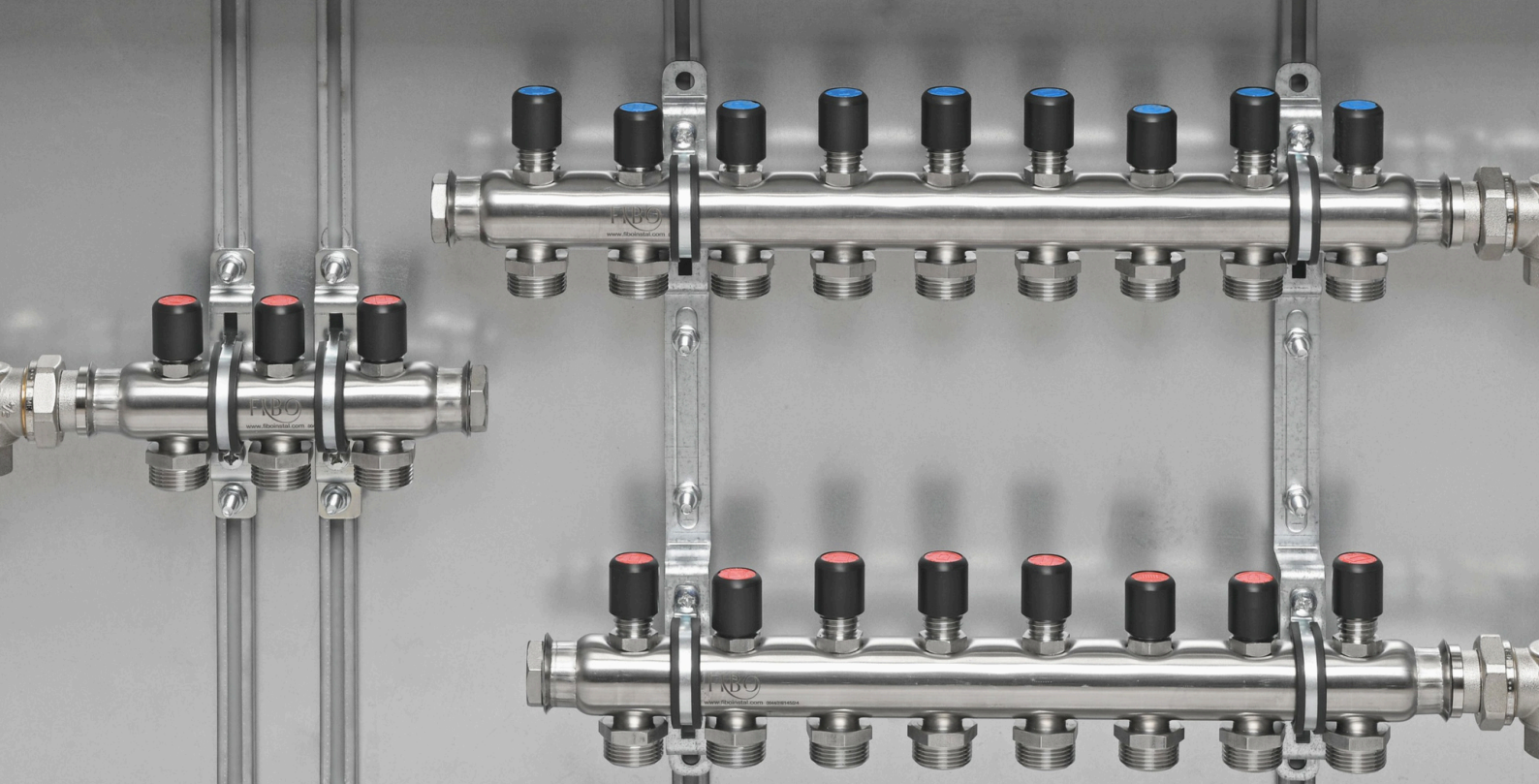
Stainless steel is a material with superior properties.

Appreciated for its high resistance to temperature, pressure, and mechanical damage, stainless steel develops a unique passive layer on its surface, making it corrosion-resistant.

Stainless steel is a material that is safe for human health, possessing excellent hygienic properties. It does not release harmful chemical compounds into the environment, is non-leaching, and exhibits antibacterial qualities.

What distinguishes them?

1. Material compatibility: The BODY, NIPPLE, and VALVE are made of high-quality certified stainless steel, specifically designed for use in food applications.
2. Uniform body - from 2 to 10 sections of a continuous bar without joints
3. Innovative design of the valve head with a patent application at the Polish Patent Office No. P.449099.
4. Optimized section spacing- 45 mm allows for easy pipe installation without using specialized tools, while maintaining the compactness of the entire manifold.
5. A specially profiled supply thread collar allows the use of O-ring seals.
6. Unique body design to obtain the best operating parameters- confirmed by the registration of an EU industrial design.



INOX HOME - quality matters



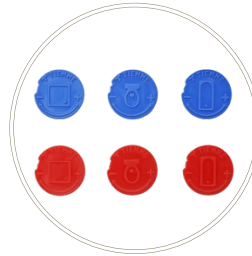
MAIN COMPONENTS MADE OF STAINLESS STEEL



UNIFORM BODY - FROM 2 TO 10 SECTIONS



RESISTANCE SOCKET OF RUBBER SEALS



CAPS WITH RECEIVER COLORS AND SYMBOLS



STANDARD 3/4" SECTION CONNECTION



VISUAL ASSESSMENT OF THE DEGREE OF OPENING/CLOSING THE VALVE



INSULATED BRACKETS ALLOWING THE INSTALLATION OF 2 BARS WITH A DIFFERENT NUMBER OF SECTIONS



PERMANENT LASER MARKING

Technical parameters:

BODY: Stainless steel AISI 304 and AISI 316,
outer diameter Ø35, internal thread. 3/4" x 2

EXTERNAL THREADS SECTION: Stainless steel,
internal socket 18mm - 3/4" thread,

HEAD (SHUT-OFF VALVE): AISI 304 stainless steel

Seals: EPDM

KNOB: plastic

MANUFACTURER: FIBO (Poland)



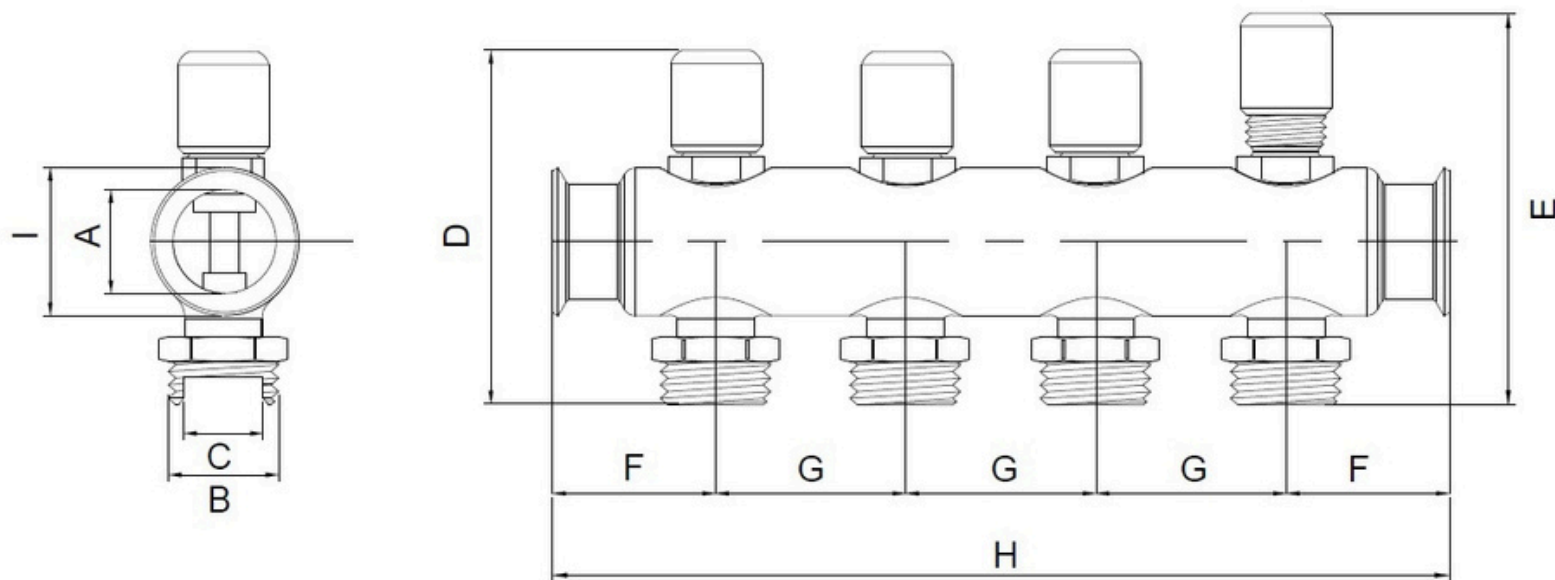
Max. operating
temperature: 110° C



Max. working
pressure: 16 bar



Height: 8-9.5 cm



Ways	A	B	C	D	E	F	G	H	I
2	3/4"	3/4"	18	82	95	38	45	121	35
3	3/4"	3/4"	18	82	95	38	45	166	35
4	3/4"	3/4"	18	82	95	38	45	211	35
5	3/4"	3/4"	18	82	95	38	45	256	35
6	3/4"	3/4"	18	82	95	38	45	301	35
7	3/4"	3/4"	18	82	95	38	45	346	35
8	3/4"	3/4"	18	82	95	38	45	391	35
9	3/4"	3/4"	18	82	95	38	45	436	35
10	3/4"	3/4"	18	82	95	38	45	481	35

Flow/pressure drop diagram

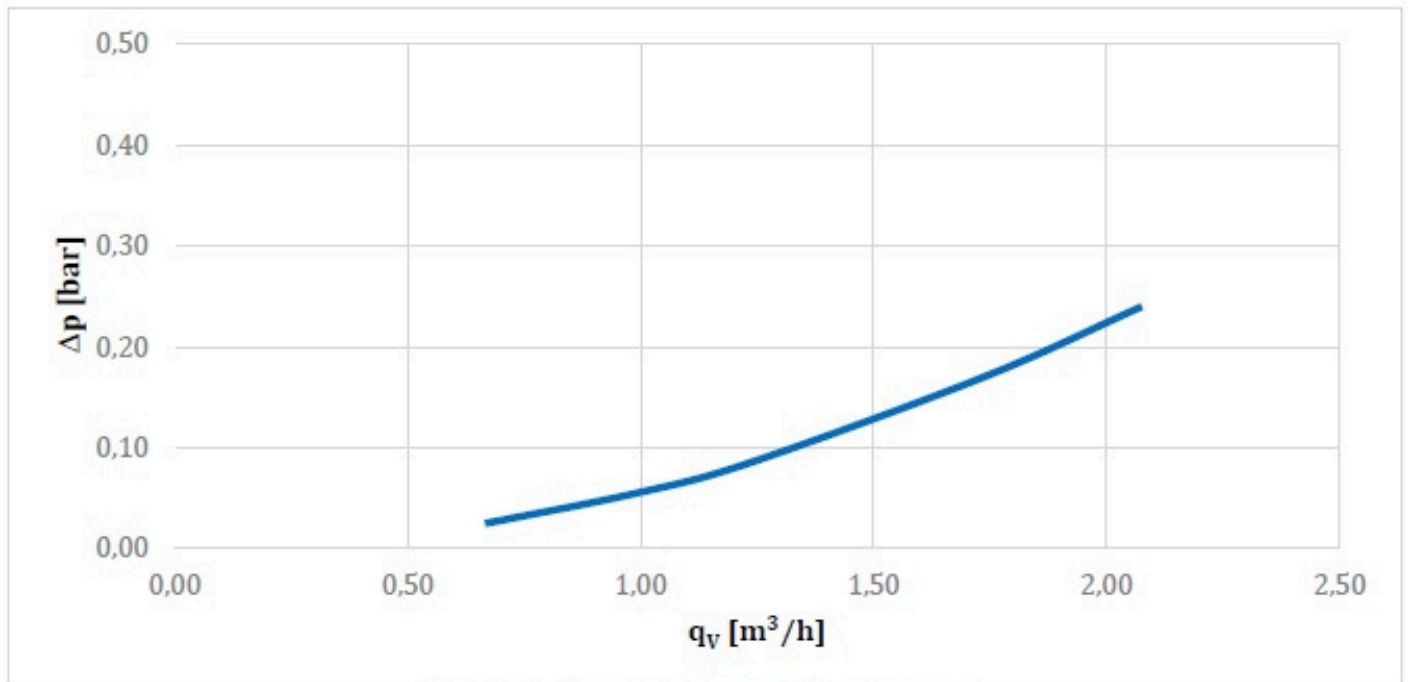
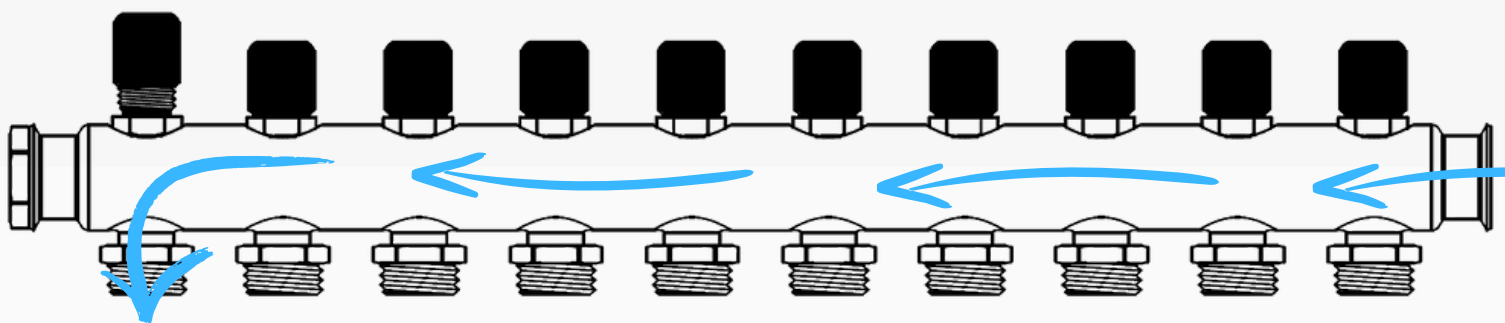


Diagram Kv= 4,222 - medium water

In the longest manifold we offer - 10 sections, Kv for the last section calculated from the supply side is as much as 4.222 m³/h. In each previous section the Kv value will be higher.

For comparison, standard fittings for water receivers, such as a washbasin, washing machine, dishwasher, shower, bathtub, have a water capacity ranging from 8 to 30 l/min.



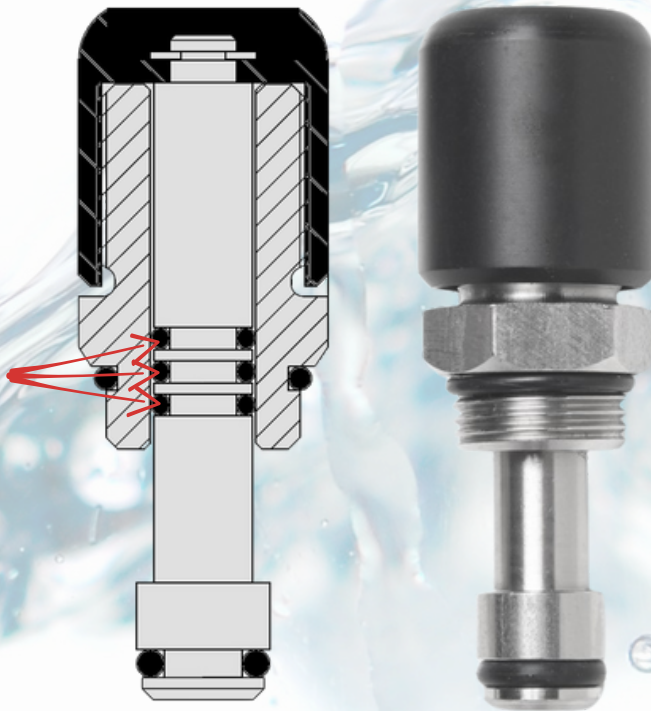
Kv= 70,37 l/min

*Kv according to PN-EN 1267:2012 standard



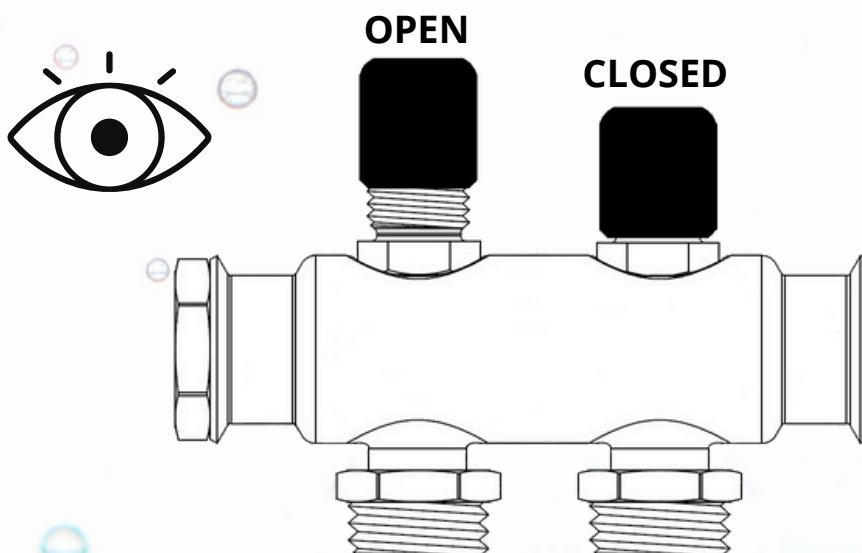
3x
o-ring

The pin is secured
with three
peripheral seals.



Specially designed valve head for the manifold
FIBO INOX HOME is an extremely solid construction
made of stainless steel.

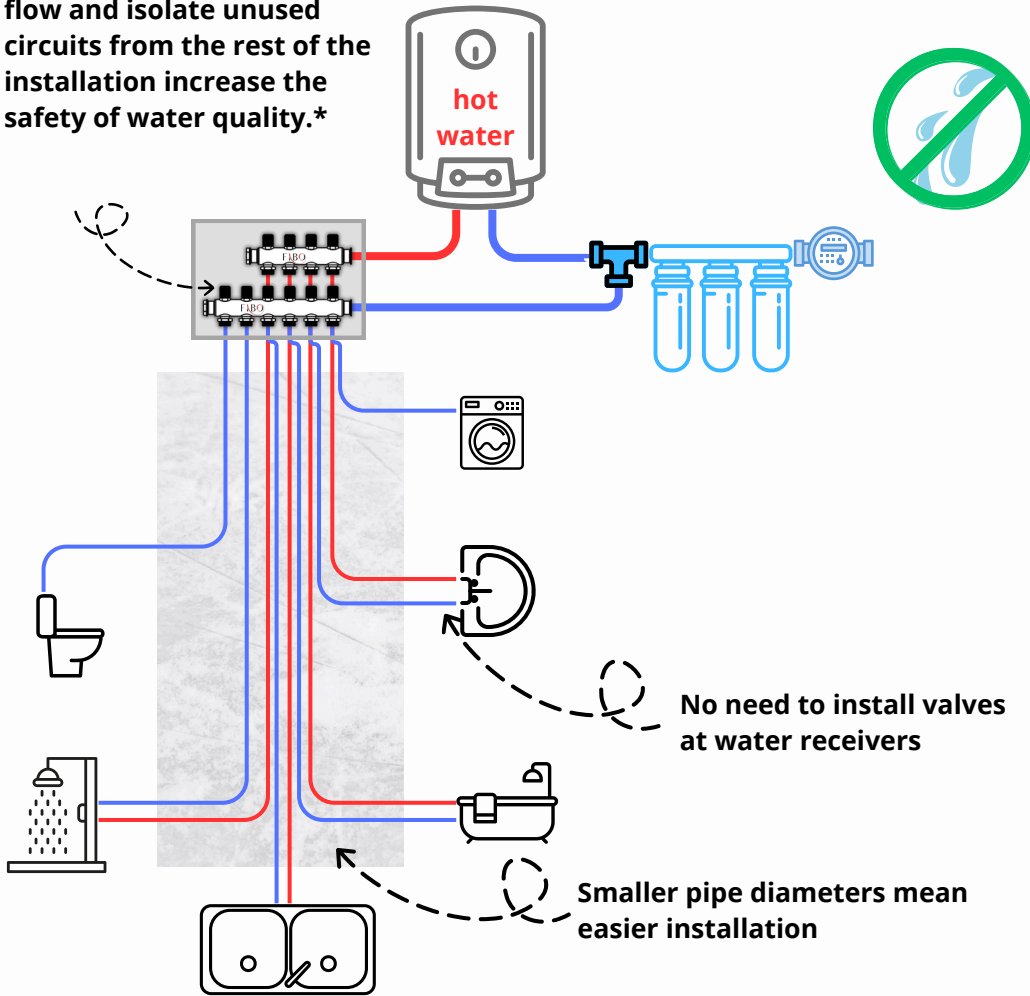
Visual identification of the valve's closed/open status.



This solution makes it
much easier to quickly
locate open/closed
valves without having
to manually check each
valve individually.

Systems comparison

Built-in valves to regulate flow and isolate unused circuits from the rest of the installation increase the safety of water quality.*



Water manifold system

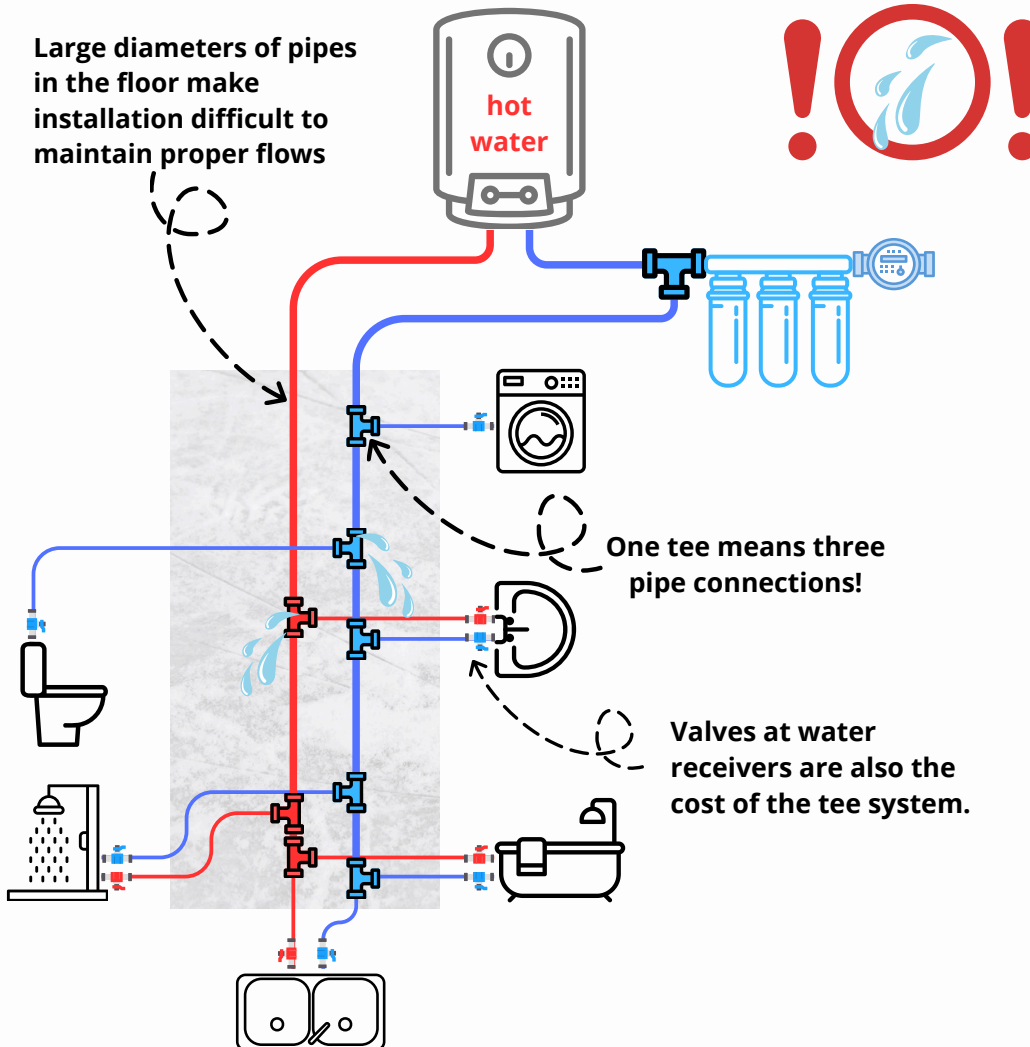
FLOOR JOINTS

0

*Built-in valves make it possible to cut off the unused water circuit at its beginning, from the used parts of the installation (and not at the end, as in the case of tee systems).

Water stagnation occurs in unused sections of the installation, which creates a favorable environment for bacteria to multiply.

Large diameters of pipes in the floor make installation difficult to maintain proper flows



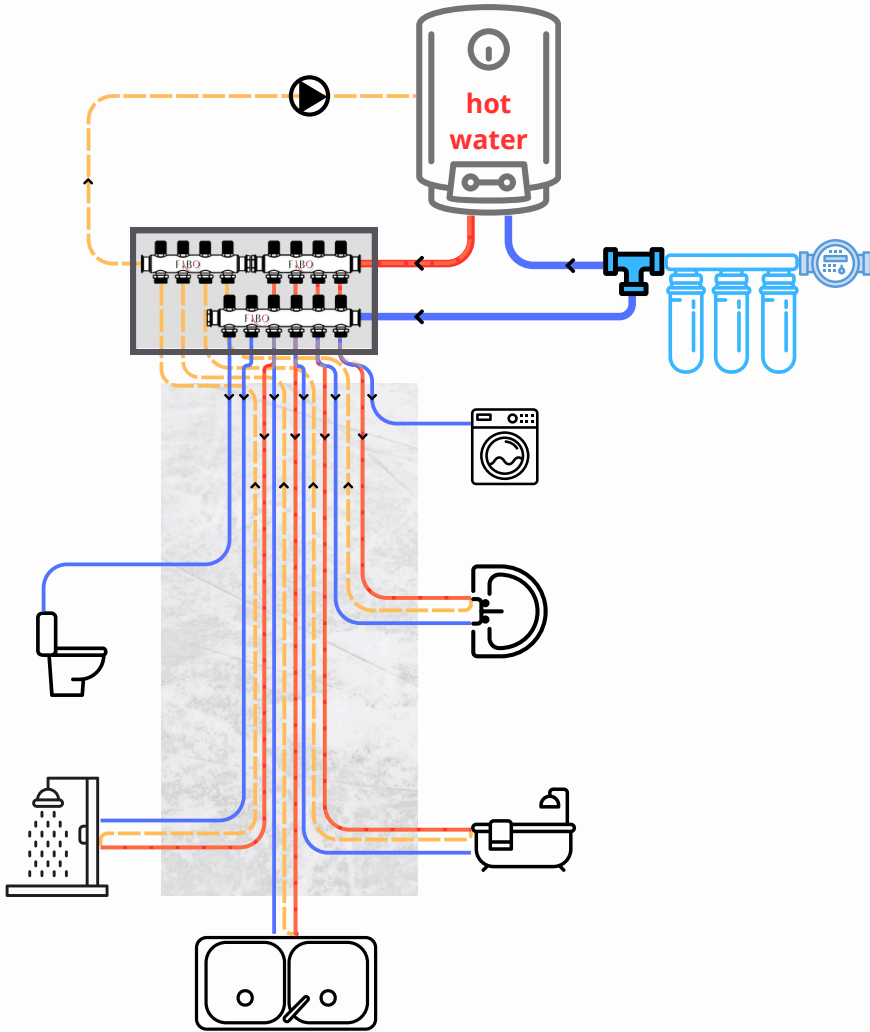
Tee system

FLOOR JOINTS

24

Locating a damaged fitting in the floor is often very difficult and may require costly and time-consuming repairs.

Hot water Circulation in the manifold system



Full circulation

Circulation of all hot water intake points.

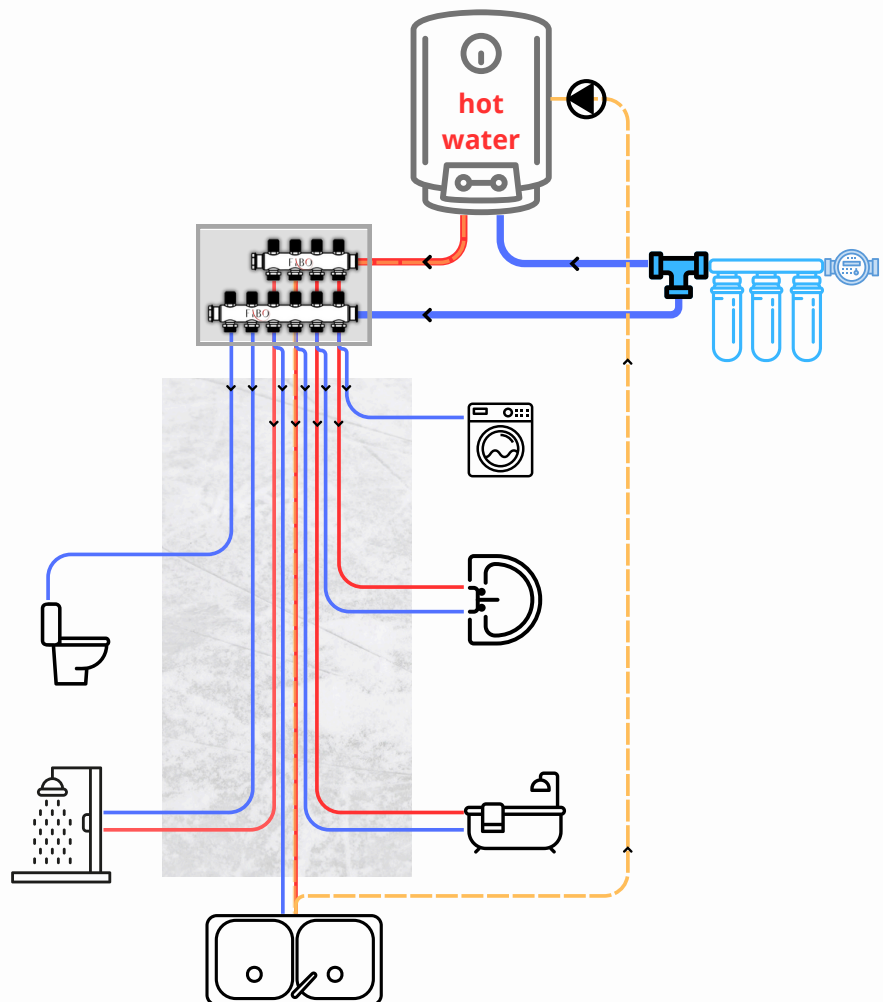
A solution for full comfort of use, usually used when hot water receivers are far from the hot water distributor or hot water tank.

The use of a circulation distributor allows you to balance the flows in individual circuits. Water circulation is forced by a circulation pump.

Partial circulation

Circulation of one point furthest from the hot water tank.

The water flow is forced by a circulation pump through the hot water distributor, which also shortens the time of hot water supply to non-circulated water reception points by the section between the distributor and the hot water tank.



Main advantages:



15-year warranty on the body

The distributor is made of high-quality profile intended for installation applications in the food industry. It guarantees its long-term and reliable operation, safety, high durability and aesthetics of the product.

Lead free

The stainless steel alloy does not contain lead in its chemical composition, which is washed out in other alloys and enters drinking water.



100% recycling

Stainless steel is fully recycled and over half of the raw material for the production of new elements is obtained from recycling.



System efficiency and health safety confirmed by laboratory tests



PZH certificate no.: B.BK.60110.0490.2023 valid until: May 26, 2026
National Technical Assessment: ITB-KOT-2024/2619 ed. 1

Polish product



Made in Poland

FIBO-INOX HOME distributors have been designed for the highest system efficiency while maintaining rigorous quality standards. Manifolds are manufactured in Poland from the highest quality materials. This guarantees full control of the manufacturing process, which translates into the certainty of providing you with the highest quality product.

Additional accessories



Fittings



Brackets



Surface-mounted and flush-mounted metal cabinets



GZ plugs with O-ring



Where can be applied domestic water manifolds?

Dormitories



Hotels



Guesthouses



Public bathrooms



Houses





> **fiboinstal.com**

J.K. Instalacje Jacek Kwaśniewski
ul. Kościelna 5/2
46-100 Kamienna
NIP: 751 165 65 67



793 605 370



506 213 516



kontakt@fiboinstal.com

This catalogue, together with the information contained therein, is for informational purposes only and does not constitute an offer within the meaning of the provisions of the Civil Code.
The installation diagrams included in the catalog are for illustration purposes only.
FIBO reserves the right to make changes and additions to the information materials provided without prior notice